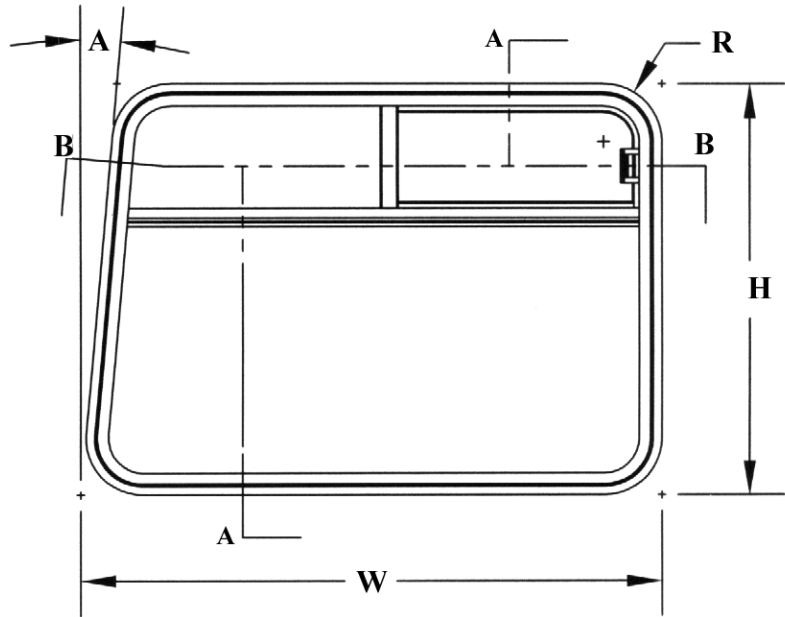
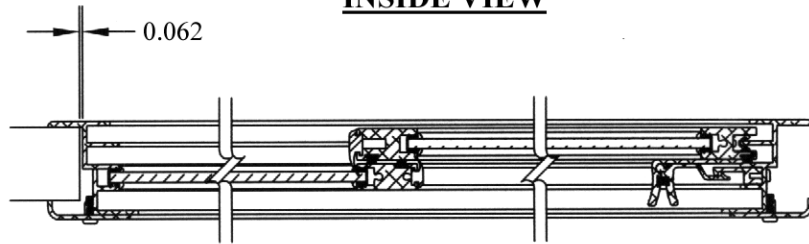


**SECTION A-A  
FLANGE MOUNT**



**INSIDE VIEW**



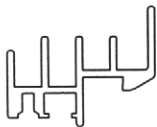
**SECTION B-B  
WITH CLAMP RING**

**NOTE:**

1. WINDOWS CAN BE MANUFACTURED IN VARIOUS SHAPES AND SIZES WITH THE EXTRUSIONS LISTED BELOW
2. RECOMMENDED CLEARANCES BETWEEN THE WINDOW ASSEMBLY AND THE BODY OPENING MAY VARY DEPENDING UPON THE GLAZING GASKET YOU SELECT. WEATHER STRIPS THAT CONFORM TO THE DIMENSIONS SHOWN ARE AVAILABLE
3. EXTRUSIONS 606 AND 607 ARE USED IN COMBINATION TO MAKE A KICK OUT STYLE ESCAPE WINDOW.



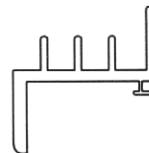
606



607



608



620