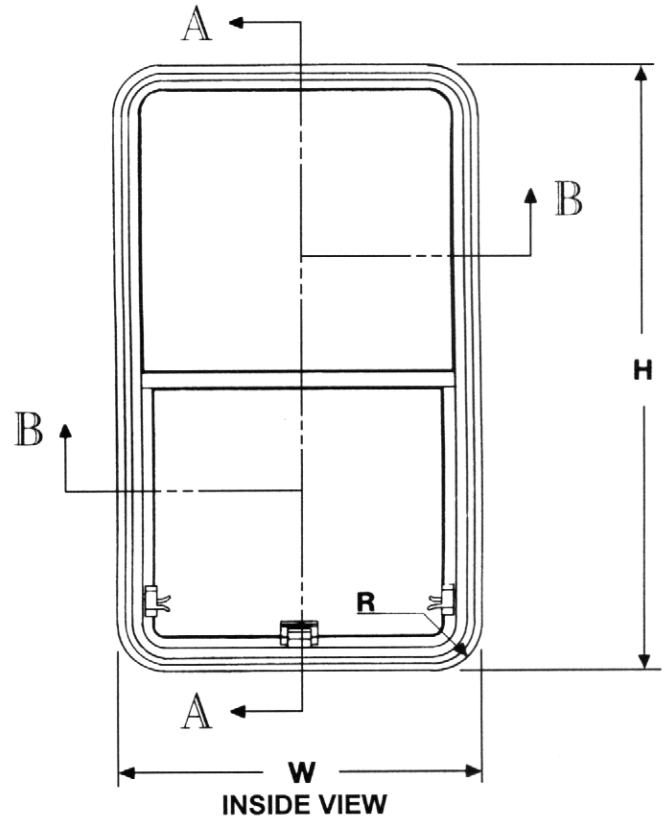
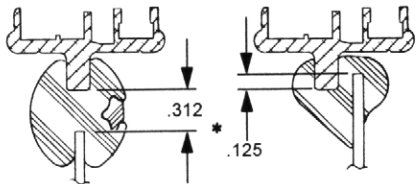


**SECTION A-A**



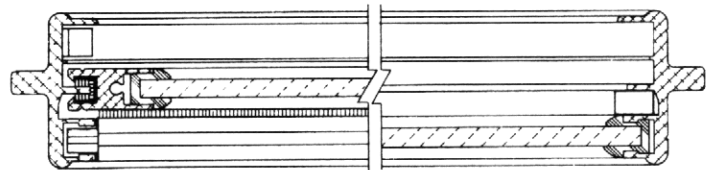
**INSIDE VIEW**

**RUBBER MOUNT**



**"H" TYPE**

**"S" TYPE**



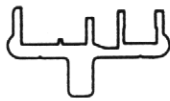
**SECTION B-B**

**VERTICAL RAISE RACK & RATCHET WINDOWS CAN BE MANUFACTURED IN VARIOUS SIZES WITH THE EXTRUSIONS SHOWN BELOW.**

\* Recommended clearance between window assembly and body opening may vary depending upon the glazing gasket you select, however weatherstrips which conform to the dimensions shown are readily available.



**256**



**269**