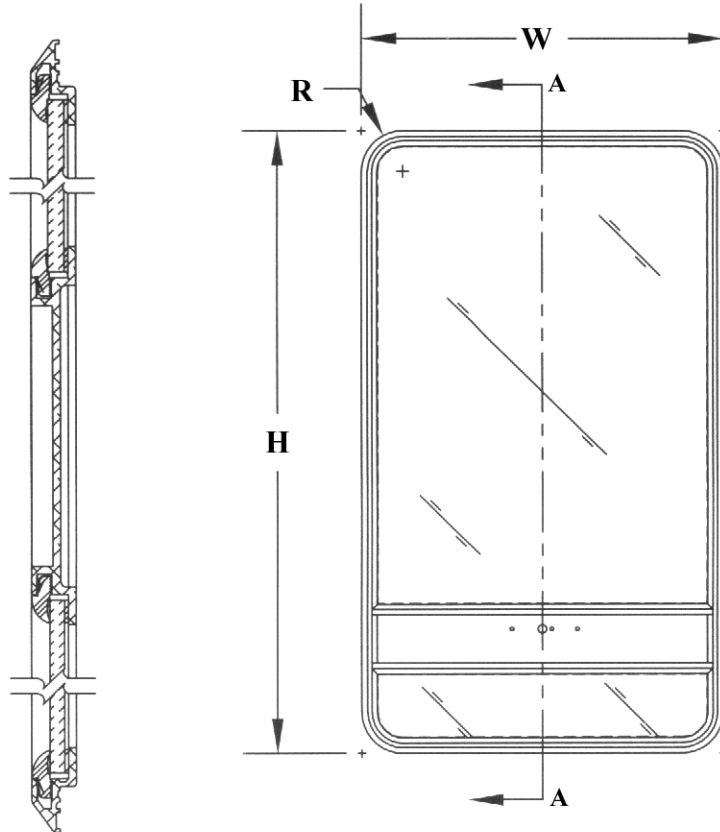


# WINDSHIELD

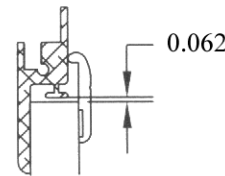
# SERIES 300



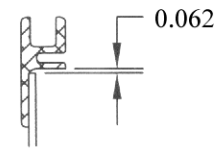
**SECTION A-A**

**NOTE:**

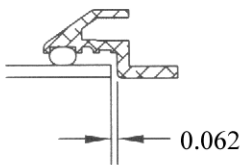
1. WINDOWS CAN BE MANUFACTURED IN VARIOUS SHAPES AND SIZES WITH THE EXTRUSIONS LISTED BELOW
2. RECOMMENDED CLEARANCES BETWEEN THE WINDOW ASSEMBLY AND THE BODY OPENING MAY VARY DEPENDING UPON THE GLAZING GASKET YOU SELECT. WEATHER STRIPS THAT CONFORM TO THE DIMENSIONS SHOWN ARE AVAILABLE



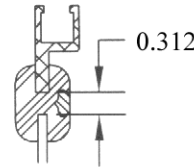
**CLAMP RING MOUNT**



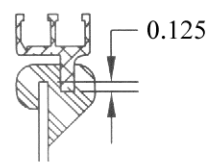
**FLANGE MOUNT**






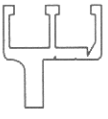



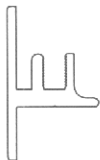

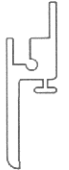

**URETHANE MOUNTED**



**"H" TYPE RUBBER**



**"S" TYPE RUBBER**

584 	033 	059 	061 	057 	322 
476 	528 	340 	341 	323 	506 